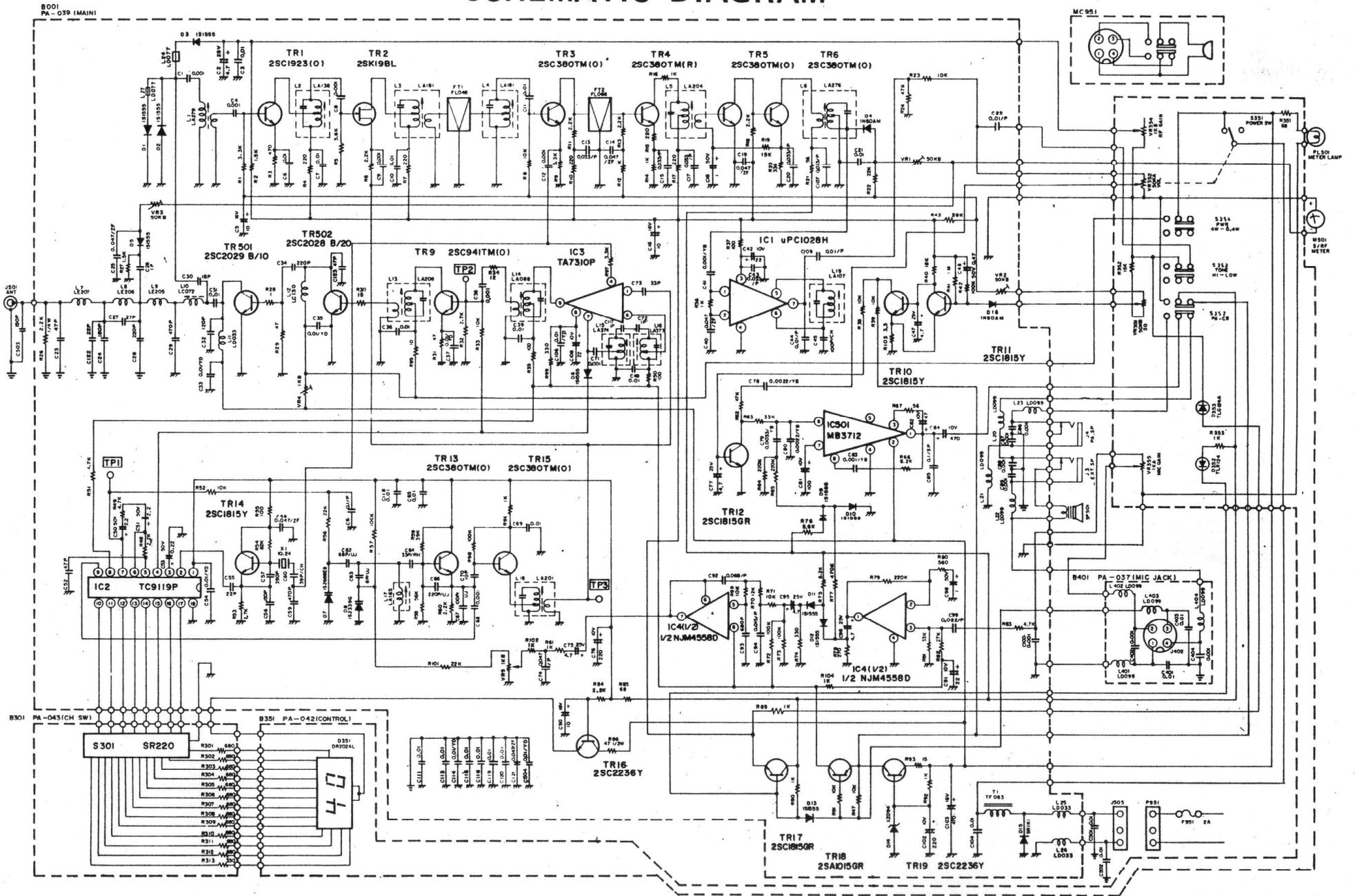


SCHEMATIC DIAGRAM



UTZZ01283AZ

1. RESISTANCE VALUES ARE SHOWN IN OHMS UNLESS OTHERWISE NOTED. (K = KILO OHM)
2. RESISTER WATTAGES ARE 1/8W UNLESS OTHERWISE NOTED.
3. CAPACITANCE VALUES ARE INDICATED IN MICROFARADS UNLESS OTHERWISE NOTED. (P = MICRO-MICRO FARAD)
4. ALL CAPACITORS TEMPERATURE CHARACTERISTICS ARE 5L (LESS THAN 100PPF) OR Y/T/MORE THAN 100PPF UNLESS OTHERWISE NOTED.